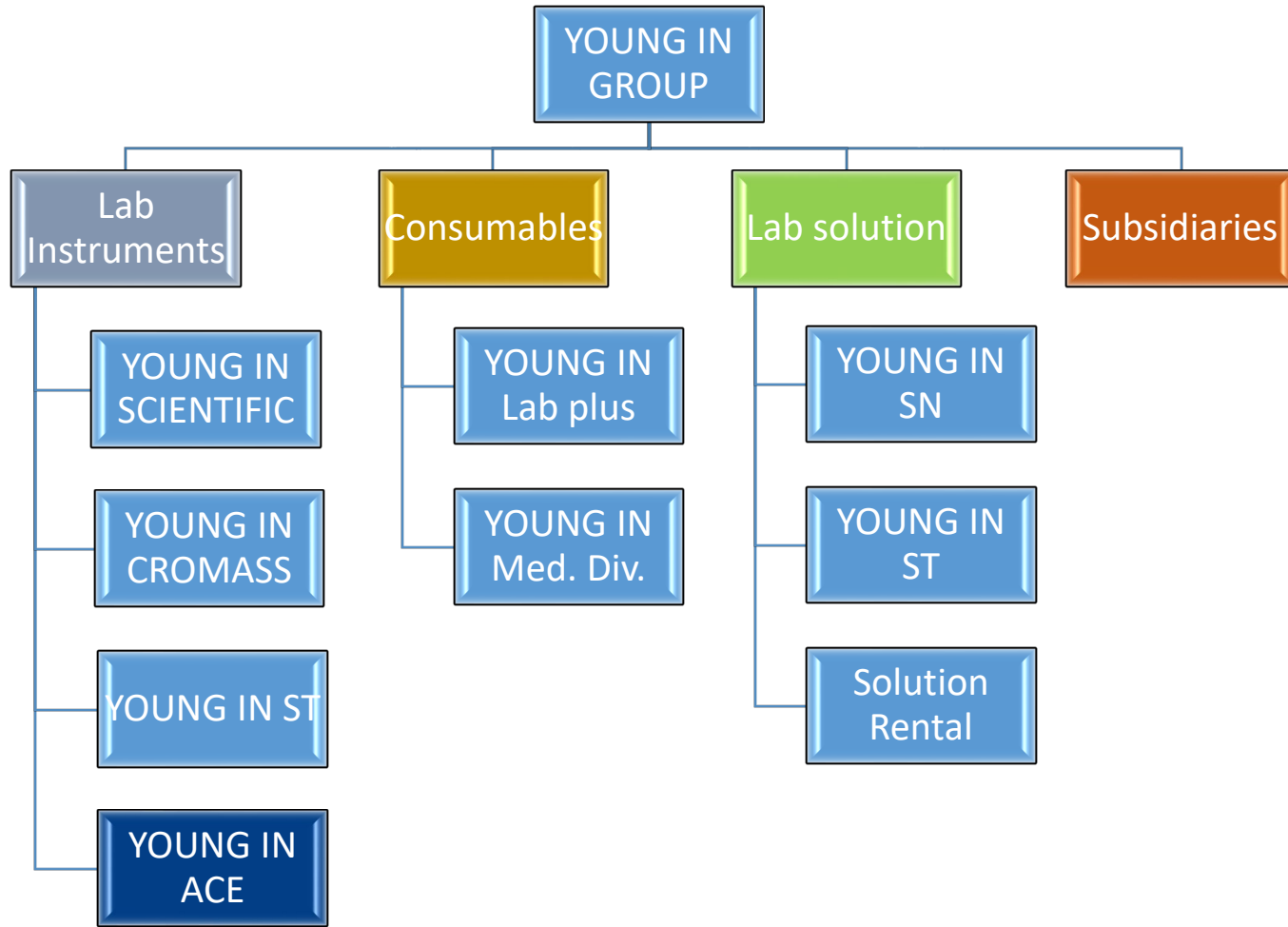
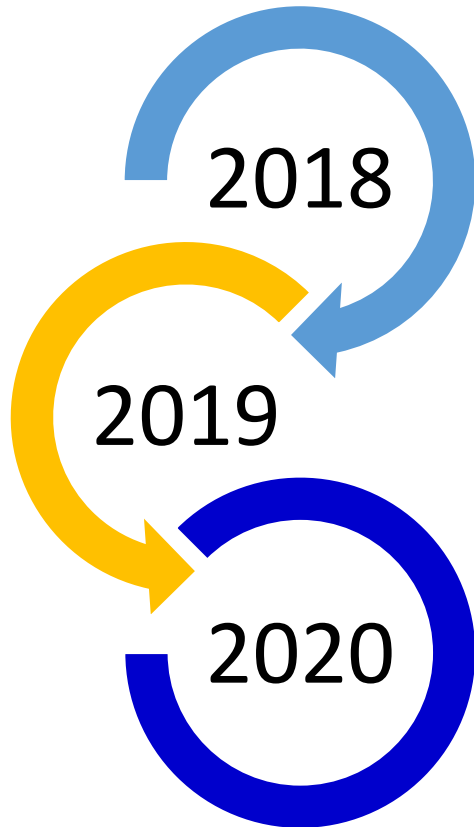


The Expert of the Mass Spectrometry

YOUNG IN ACE





YOUNG IN ACE was started in 2018 as a R&D department for development of Mass spectrometer in YOUNG IN Group

In 2019, YOUNG IN ACE Co., Ltd was founded.

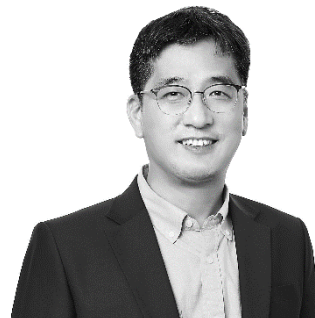
Launched first developed product, IMR-MS(Ion Molecule Reaction Mass Spectrometer)

COMPANY

Outline

Company	YOUNG IN ACE Co., Ltd
Established	09. 09. 2019
CEO	Jin Geun, Rhee
Location	Anyangcheondong-ro 60, Anyang-si, Gyeonggi-do, 14042, Korea
Members	25
Website	www.younginace.com
Product	Mass Specrometer

CEO



Jin Geun Rhee, Ph D

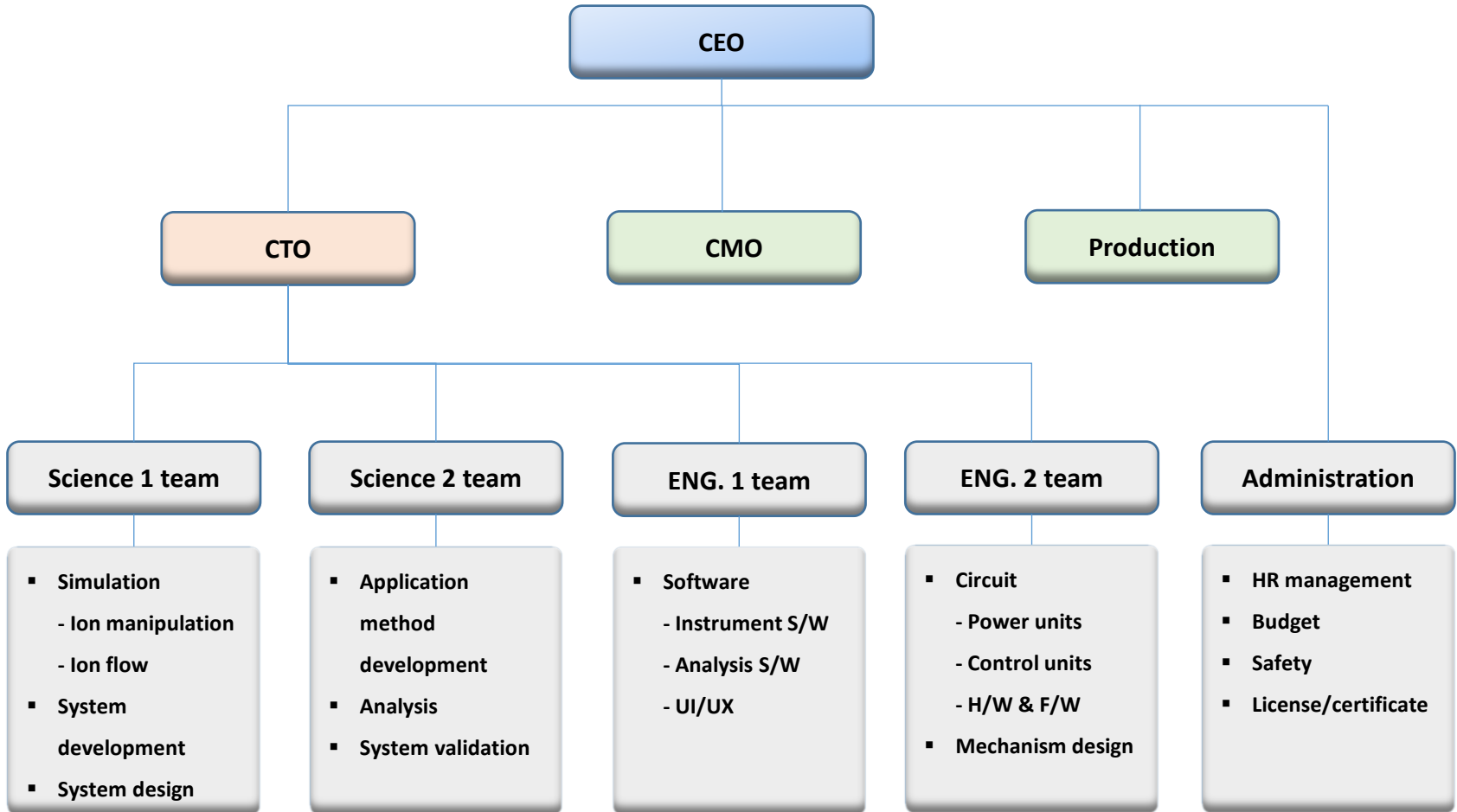
Education

- Seoul National University
Bachelor degree, Physics
- Seoul National University
Master degree, Physics
- KAIST, Doctoral degree

Carrier

- Asis, CEO
- Terawave, CEO
- Precision Bio, VP

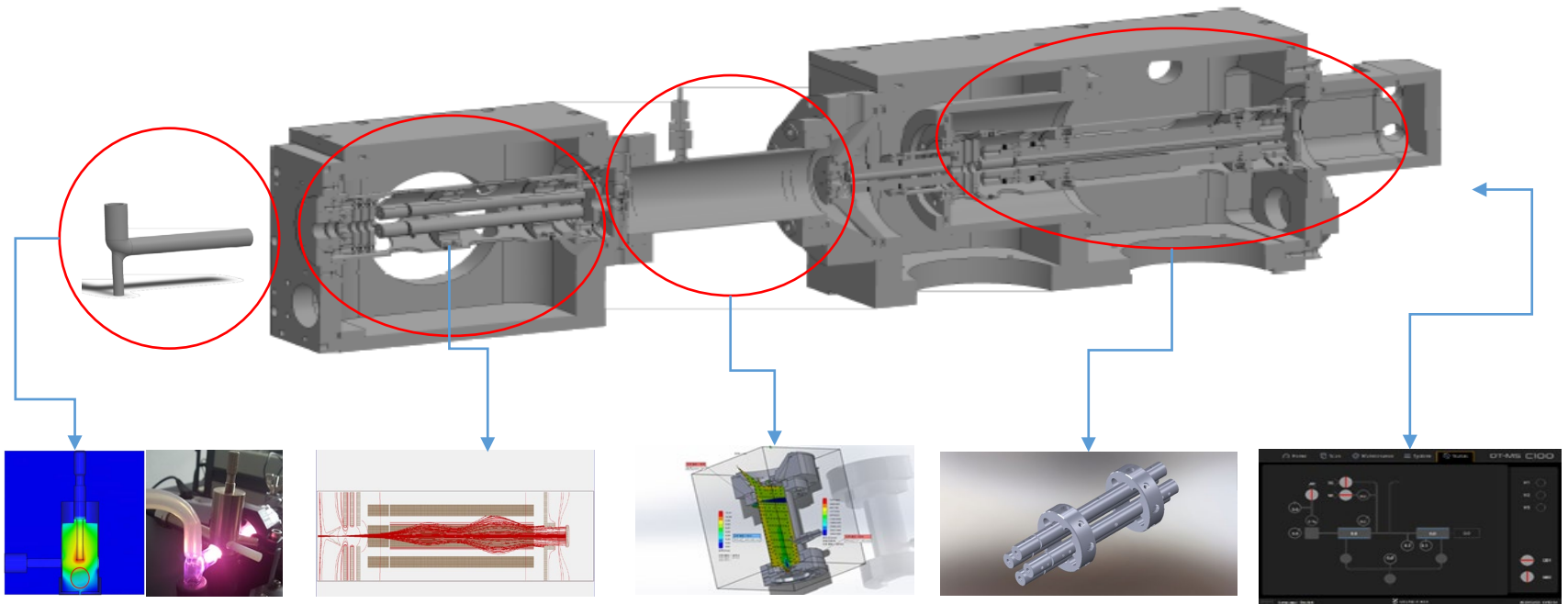






OUR MISSION





(1) Ion Source

Plasma energy coupling mechanism analysis & simulation

(2) Ion Beam Control

Ion beam motion analysis using SIMION, focusing & Simulation

(3) Ion Reaction

Reaction control between Carrier Gas and Analyte

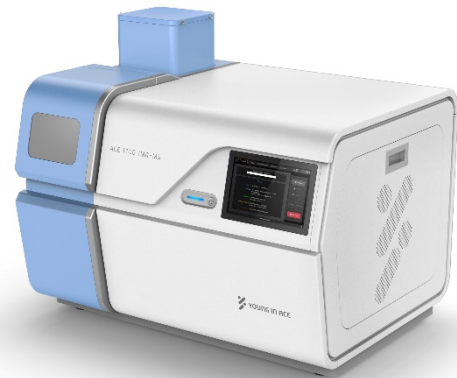
(4) Mass Filter

Design Quadrupole Mass Filter, Control module

(5) Software

UI & GUI design
Data analysis

ACE 1100 IMR-MS



Special features of ACE 1100 IMR-MS

FAST analysis – direct analysis can save analysis time

REAL TIME analysis – based on fast analysis time, immediately getting a result with real time

ACCURATE result – simple mass spectrum makes it easy to confirm result

ON SITE analysis – can be used in the point of analysis is required

ON-LINE monitoring – continuous result acquisition (24hrs/7days)

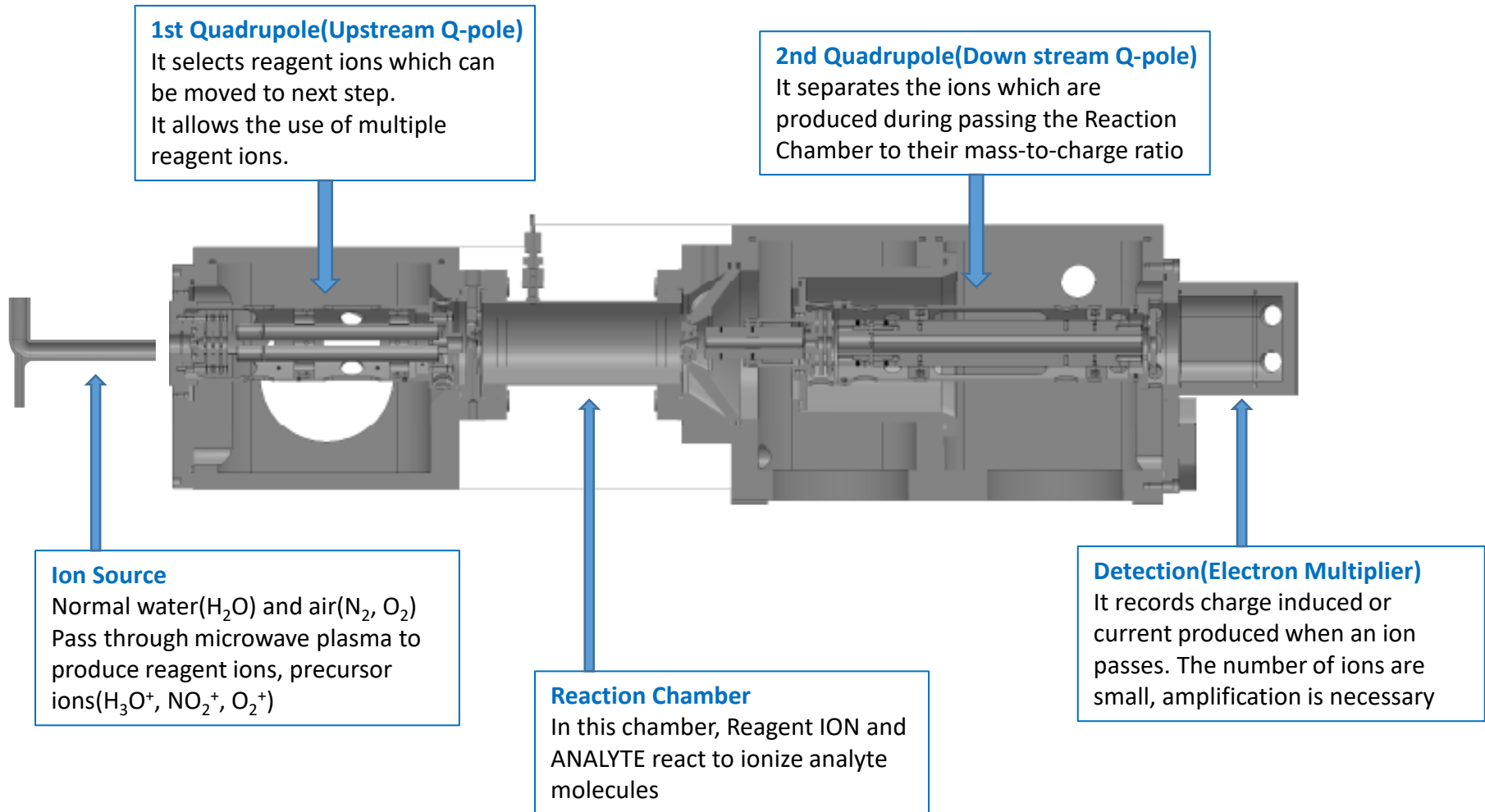
MOBILE LAB – mounted in vehicle for Mobile Lab

EASE OF USE – Built in software for system operation

Data processing with external PC

Expert and Beginner can operate easily

TECHNOLOGY in PRODUCT



APPLICATION

Automobile

- Leak Detection
- Material Emission
- **Vehicle Interior Air Quality**
- Vehicle Emission

Bio-Medical

- **Breath Diagnostics**
- **Pharmaceutical**
- Microbial

Energy

- Petrochemical

Consumer Product

- **Food Processing**
- Packaging

Environment

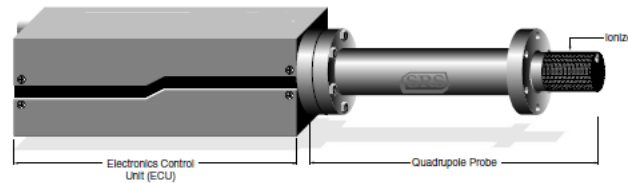
- **Air Monitoring**
- Flare Gas Analysis

Indoor Air Quality

- Container Safety
- **Semi-conductor Clean Room**



GC-MS



RGA (Residual Gas Analyzer) : Quadrupole probe



THANKS

www.younginace.com

sales@younginace.com

The Expert of the Mass Spectrometry

